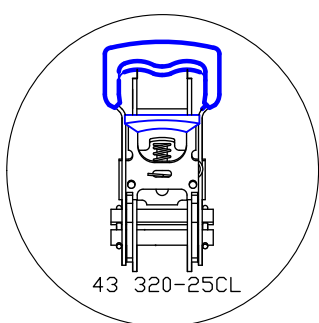
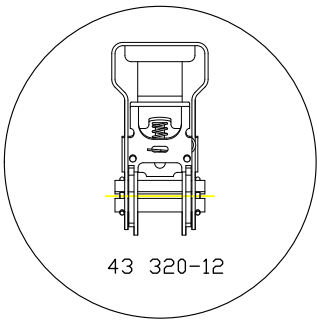
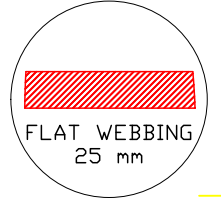
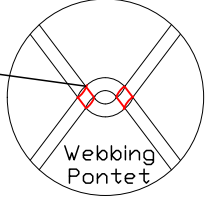
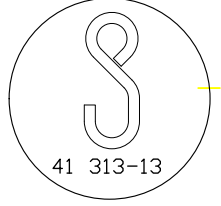
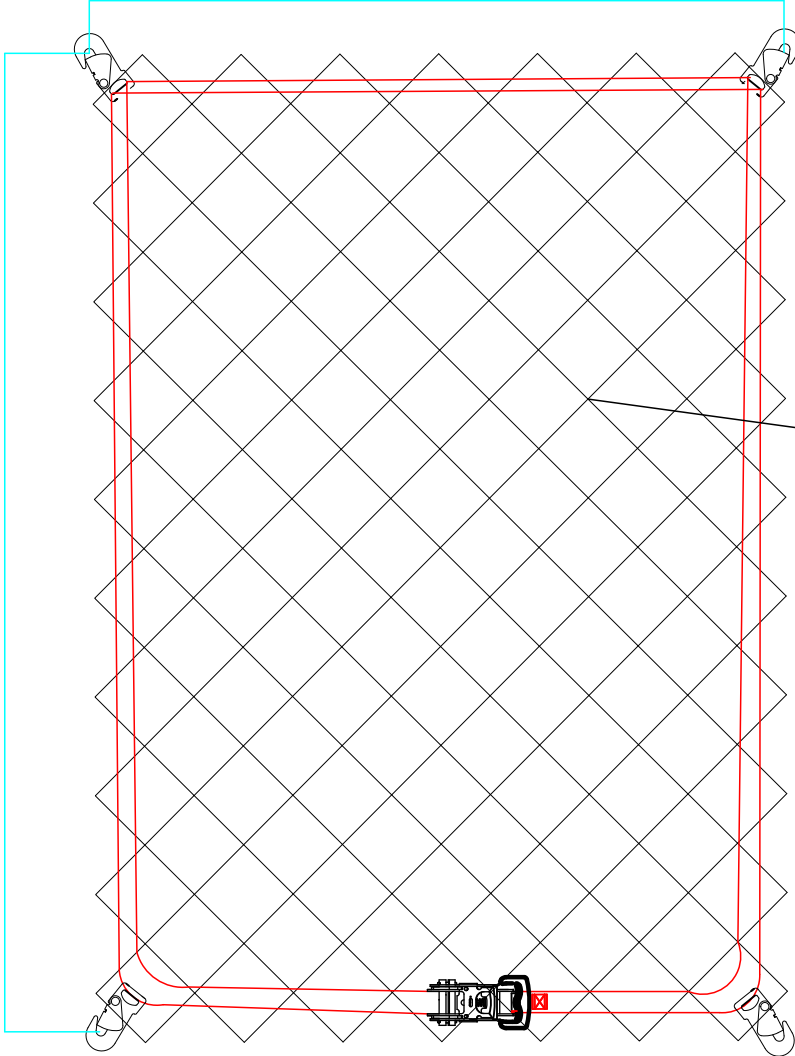


VEHICLE SUPPORT NET  
REF : GP FORESXXX

XXXX

XXXX



**forankra**  
Secures everything in transit™

info@forankra.es